

Aries MK 6600/6650

Aries MK 7700/7750

Aries MK 8700/8750

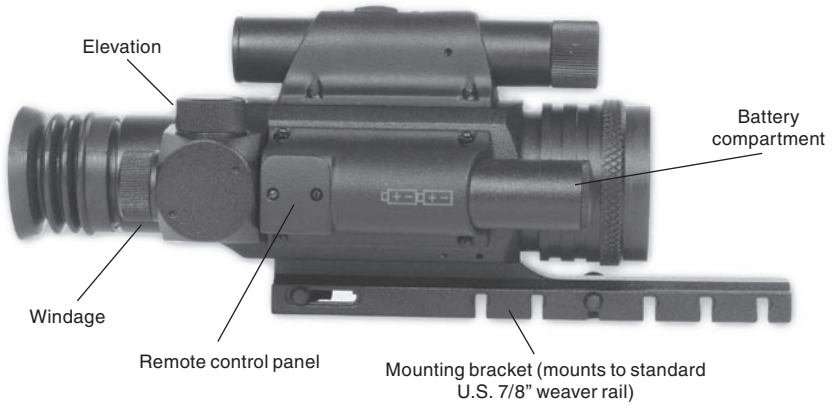
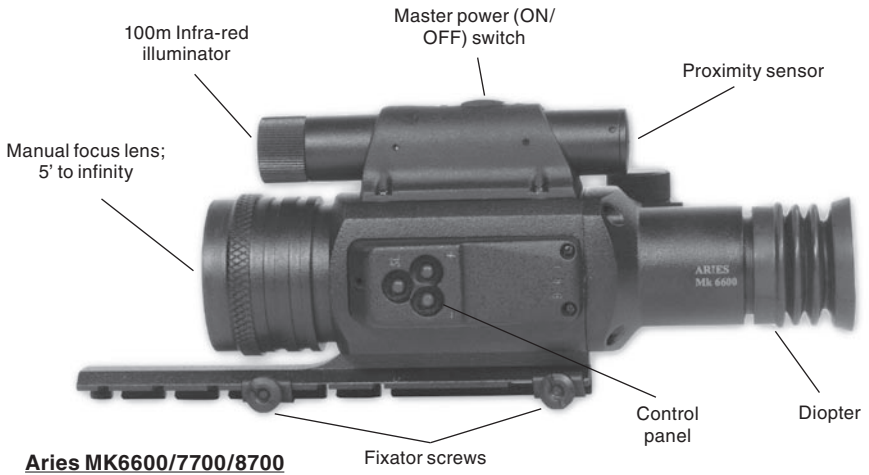


u s e r ' s g u i d e

Export of night vision equipment and optical sighting equipment is controlled by the U.S. Department of State, Office of Defense Trade Controls in accordance with International Traffic in Arms (ITAR), Title 22, Code of Federal Regulations Part 120-130 and/or the Export Administration Regulations (EAR) U.S. Department of Commerce. Illegal export of these commodities is strictly prohibited.



**AMERICAN
TECHNOLOGIES
NETWORK
CORP.**



Remote control



Aries MK6650/7750/8750



The information in this manual furnished for information use only, is subject to change without notice, is not to be construed as a commitment by ATN Corp.

ATN Corp. assumes no responsibility or liability for any errors or inaccuracies that may appear in this book.

©2005 ATN Corp. All right reserved.

APPLICATION

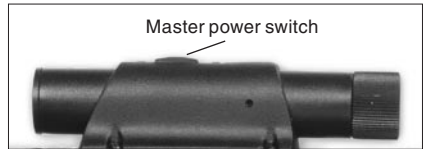
The Aries MK6600/6650/7700/7750/8700/8750 night vision weapon scope is a complex computerized system for the observation of objects at low light levels. Containing an onboard computer these scopes are some of the most advanced night vision weapon scopes in the world.

The Aries MK6600/6650/7700/7750/8700/8750 consists of the objective lens assembly, ocular lens assembly and the body. The body contains the image intensifier tube assembly with the integrated high voltage power source. The body also houses the electronics for the reticle, the computer console for the "Smart Technology" as well as the battery compartment. The 100M infra-red illuminator is located on the top of the unit.

The objective lens protective cover (not shown) is designed to protect the lens from scratches and abrasions. This cover also protects the image intensifier tube from exposure to daylight or other bright light sources. The protective cover acts as a daylight filter, note the pinhole in the center of the lens cap.

MASTER POWER SWITCH

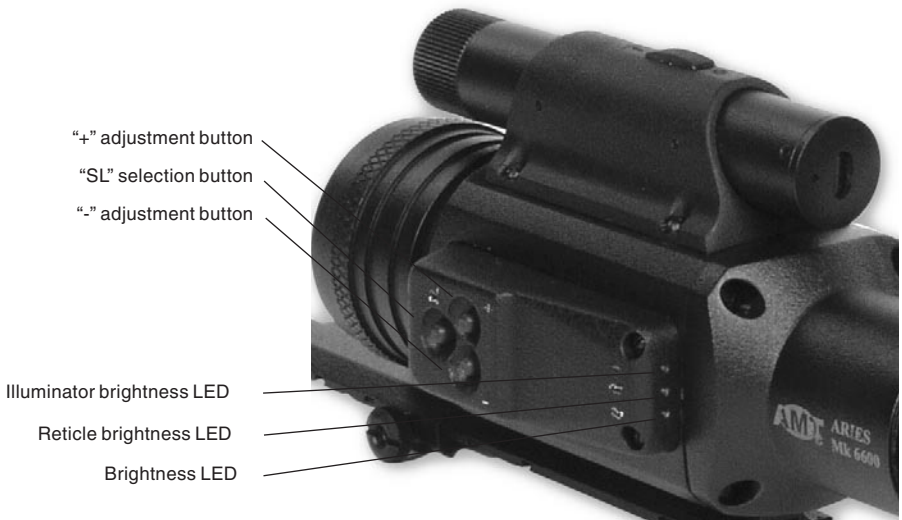
The Master ON/OFF switch is to be found on top of MK6600/6650/7700/7750/8700/8750. Once the scope's master power is switched on you can adjust the scope using the buttons on the control box.



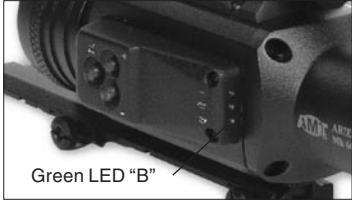
CONTROL PANEL

The control box with the cluster of three buttons on it can be found on the left side of the Aries MK 6600/6650/7700/7750/8700/8750. "SL" button acts as a three-way selection toggle. By pressing it once you will see one of three colored diodes located on the rear side of the control box light up. Make sure to keep both eyes open; your right eye is expected to aim through the scope so that your left eye perceives the changes on the rear side of the control box. "+" and "-" buttons are used to correspondingly increase or decrease adjustments for a chosen function.

The three colored led diodes represent the scope function mode. "B" stands for brightness of the light intensifier tube, "R"- for reticle brightness, and "I"- for IR illuminator brightness.

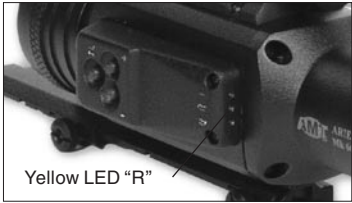


LIGHT INTENSIFIER TUBE BRIGHTNESS ADJUSTMENT



The **green led "B"** represents the light intensifier tube power ratio. Once this is lit you can adjust the brightness of the light intensifier with the "+" and "-" adjustment buttons.

RETICLE BRIGHTNESS ADJUSTMENT



By pressing the SL button twice you switch to a **yellow "R" diode** next to the green one. The **yellow diode** represents the reticle's brightness. Adjustments could be easily seen if you look through the Aries MK6600/6650/7700/7750/8700/8750 while pressing "+" / "-" adjustment buttons.

To adjust the brightness of the reticle or to turn it off use the control box buttons located on the side of the unit. Press and hold "+" or "-" adjustment buttons while the yellow diode is on and see brightness changes looking through the scope. After appropriate level of brightness has been set release the button.

INFRA-RED ILLUMINATION



By pressing "SL" button three times you can switch to **Red diode "I"**. **Red diode** represents 100M infra-red illuminator's brightness adjustment mode. Adjustments can be easily observed through the Aries scope while pressing "+" / "-" adjustment buttons.

Infra-red illuminators, or IR illuminators, are common to night vision. The IR light greatly enhances to the performance of the Aries MK6600/6650/7700/7750/8700/8750 while remaining almost totally invisible to the unaided eye.

Power up the Aries scope in a dark environment. Find an object and examine it with IR off, then on. You could observe illumination difference. It is important to remember that the IR illuminator is simply an infra-red light source and like any light source it may lose its effectiveness over long distances.



To change the field of coverage from the IR illuminator, focus the beam by turning IR illuminator lens to slightly alter the beam width.

SLEEP MODE

One of the greatest new features that your Smart scope has is the SLEEP mode. This feature has been designed to considerably extend the period of scope's functioning, to set the scope to memorize your initial settings and endure battery's life (by settings we mean only digital settings which include brightness of the tube, brightness of the reticle, and magnitude of the IR.) Here is a description as to how the sleep mode functions:

The scope will automatically shut down if it does not sense any activity (i.e. pressing any of the buttons or simply moving the scope back and forth away from your face) for 20 minutes. When activating the sleep mode the scope will first warn you by turning off the reticle for 10 seconds. If you intend to keep using the scope simply touch any key and the scope will reactivate.

One of the reasons for the SLEEP mode being programmed into your scope is to keep the light intensifier tube and batteries safe in case you forget to turn your unit off. If you notice that the reticle turned off after 20 minutes just push the SL button and the scope will return to its previous settings.

To put your scope in the "SLEEP" mode any time, just push the SL button and "-" simultaneously. Push SL to return to previous settings and the SMART scope will remember them. This feature will come very handy, if you are waiting for game to come: you can prepare all of the settings, place the unit in SLEEP mode and activate it precisely when you need it. To disable the proximity sensor press SL and "+" simultaneously. In order to turn the proximity sensor back on, press SL and "+" simultaneously again.

NOTE: *The scope is capable of running in SLEEP mode for more than 10 (ten) days and is ready for use at any moment. Remember, you don't have to turn the unit off while you are using it ("Smart" sight remembers all the settings). Use the master ON/OFF switch only to store the scope.*

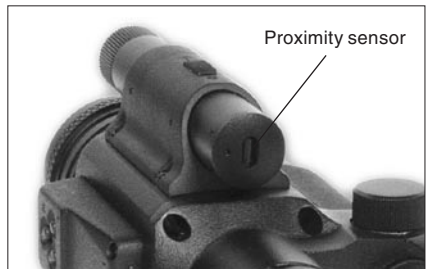
PROXIMITY SENSOR

If you turn the proximity sensor on it will activate the scope when brought to your eye. The proximity sensor disables the scope when you take it away from your face. This feature has been introduced to prolong the life of the tube and the battery.

To turn the proximity sensor on press SL and + at the same time.

To disable the proximity sensor press SL and + at the same time again.

NOTE: *Proximity sensor would not turn on automatically after master power has been switched on.*



FOCUSING

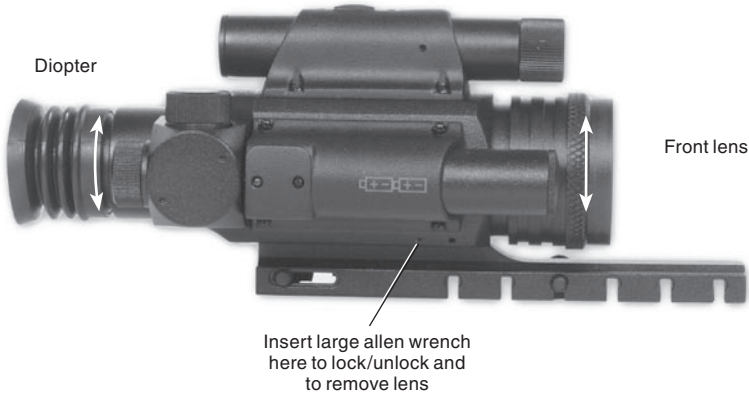
To focus the Aries MK6600/6650/7700/7750/8700/8750 you need to adjust the diopter first thing. Simply turn the diopter clockwise until it stops. Then concentrate on any object and slowly turn the diopter back counter clockwise until the grain in the image is sharp.

When you are under low-light conditions and the daylight filter is off you may focus the front lens for the image to be sharp. The diopter is not to be adjusted.

NOTE: The front lens should be readjusted for viewing objects at different distances.

You scope has ability to focus either long range or short. To adjust focus unlock front lens with the Large Allen wrench (included with scope). After focusing lens to desired distance re-lock lens in place to insure no movement of reticle while shooting.

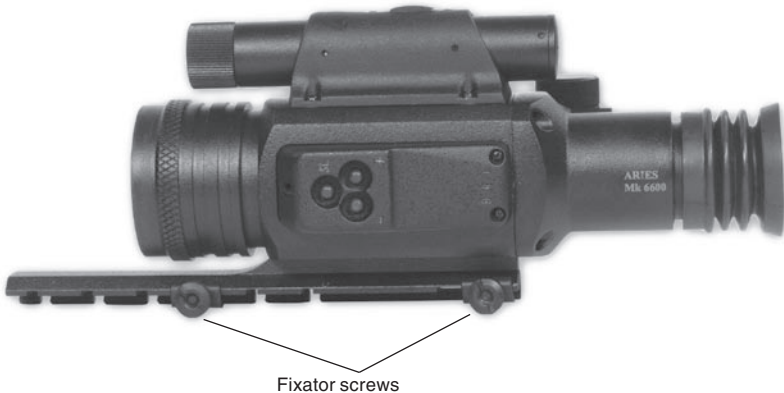
NOTE: To remove the front lens to clean, you must unlock the above set screw.



MOUNTING THE ARIES MK6600/6650/7700/7750/8700/8750

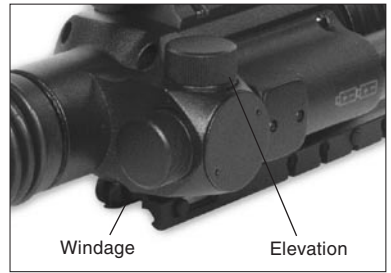
1. Slightly loosen the horizontal and vertical fixing screws on the 7/8" weaver rail built into the MK6600/6650/7700/7750/8700/8750.
2. Place the scope on the dovetail mount of the fire arm making certain that the mount aligns with the receptor attachment screw groove. Adjust as necessary.
3. Tighten the horizontal fixing screws.

NOTE: Receptor attachment screws may need to be tightened after continuous shooting.



WINDAGE AND ELEVATION

To adjust vertical and horizontal positions for the Aries MK6600/6650/7700/7750/8700/8750 turn the elevation and windage adjustment mechanisms. Each click equals to 1/8 inch at 100 yards. Do not use force having reached the maximum of rotation.



USING THE REMOTE CONTROL

Below the control box you can find the panel with two screws to fix Aries MK6600/6650/7700/7750/8700/8750.

To plug in the remote control, remove the screws and the small panel to disclose the inlet.

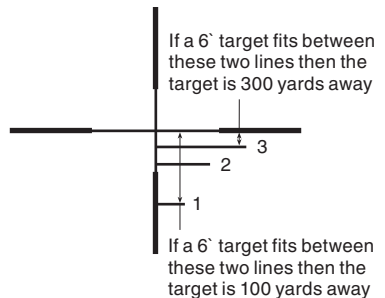
The three remote control buttons' function similarly to control box buttons. Once the remote control is plugged in you may use both panels to adjust the scope.

The remote control can be attached to the weapon of your choice through whatever means best suiting your shooting style and grip. We suggest an elastic Velcro® loop fastener similar to the trigger switches found on the weapon mounted laser pointers.



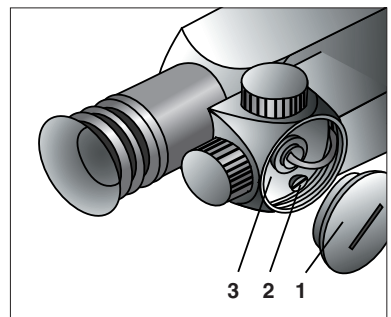
RANGE FINDER

The range finder reticle in your Aries MK6600/7700/8700 has been designed to assist you in determining the range of your target. These distances are based on a 6' target. A 6' target fits between the numbered baseline (the three short horizontal lines just next to the numbers) and the main horizontal line. If the 6' target fits between the 1 and the right horizontal posts of the main line the target is 100 yards away. If the same target fits between the 2 and the right post of the main line the target is 200 yards away. The same is with the three, the target is 300 yards away.



If the "Red on Green" reticle is not perpendicular to the bore of the rifle, it can be adjusted by doing the following:

1. Unscrew the cover between the windage and elevation adjustments.
2. Loosen the flat-head screw about 1/2 - 3/4 of a turn.
3. Rotate the central threaded shaft with two notches as needed (make sure that you do not rotate the round plate mounted on this shaft individually. They will rotate together, but if you move the plate itself, it will interfere with the focus of the reticule).

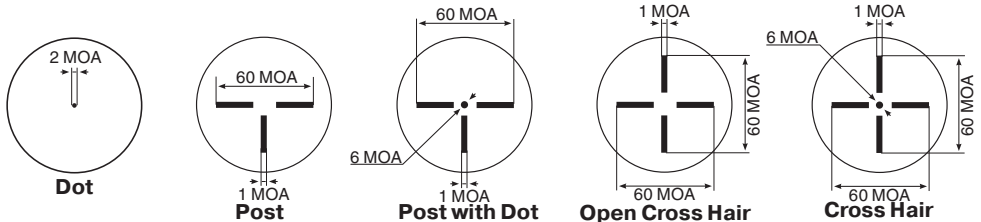


RETICLE PATTERNS

The Aries MK6650/7750/8750 scopes comes with five reticle patterns:

- Dot
- Post
- Post with Dot
- Open Cross Hair
- Cross Hair

You can choose your preferred pattern by pushing the Reticle Pattern Selector button.



PREPARATION FOR OPERATION

Before getting started make sure to follow these steps:

- Take the scope out of the case.
- Insert the batteries into their housing with the polarity order shown on the main body of the unit.
- Switch on your MK6600/6650/7700/7750/8700/8750 scope by the master power switch, make sure the protective lens cover is still attached to the lens.
- We expect your right eye to aim through the scope. Keep both of your eyes open so you are able to see the color-coded LEDs with your left eye.
- In order to assure the proper functioning of the proximity sensor make certain that the protective glass surface of the sensor is always clean.
- When the scope is first powered up the initial settings are:
 - Light intensifier tube brightness -100%
 - Reticle brightness -100%
 - Illuminator brightness -100%.
- Observe the scene and adjust the diopter for optimal image clarity.
- You may now enter the dark environment or simply shut the lights off in order to darken the room.
- Remove the lens cap/daylight filter.
- Observe the scene and adjust the front lens for ideal focus.
- Adjust the digital features as needed.
- To increase the battery life the LED diodes go off after 10 seconds.
- You will need to focus for different distances.
- Take your time to learn about your “Smart” scope. It will take practice to properly use this device. As you use this scope you will be able to improve your speed of focusing, as well as sharpness of image.
- Have fun and enjoy.

CLEANING THE EYEPIECE

You may need to clean the eyepiece of the riflescope from time to time in order to guarantee top performance. When you receive your riflescope you should check for dust on the eyepiece of the unit.

First you will need to remove the eyepiece. To do that you will need to initially loosen the 2 set screws that can be found on the base. Then unscrew the eyepiece counter-clockwise to remove it.

NOTE: *You do not have to remove the set screws completely, they are very small and easy to misplace.*

CAUTION: *Use only Photographic lens cleaning tissue on these surfaces. Be careful not to scratch or smudge any of these surfaces. When using compressed air to blow dust away, make sure to avoid inverting the can while spraying. This can cause frozen propellant to exit the can, which can cause serious problems with the glass and phosphor screen.*

WARNINGS AND CAUTIONS

- Always remember to turn off the Aries MK6600/6650/7700/7750/8700/8750 when it is not in use. If you do not plan on using your aries scope for a period of more than 10 days, you should remove the batteries.
- Keep lens cap/daylight filter on when not in use.
- Avoid contact with dust, steam, and gas.
- The Aries MK6600/6650/7700/7750/8700/8750 are not harmful to the user or the environment.
- Do not disassemble except to clean the front lens and the eyepiece: it will void your warranty.
- Evaluate the scopes function by looking through it in a lit environment with the daylight filter lens cap on. Never use in daylight without the daylight filter lens cap on. Do not surpass ten minutes of testing.
- Never point the Aries MK6600/6650/7700/7750/8700/8750 at a bright light source. If the scope shuts off automatically after directing it at a bright light source, turn the unit off and wait 1 - 2 minutes before turning the unit back on.
- Adverse atmospheric conditions such as fog, smog, or haze and a lack of ambient light (moon or starlight) may diminish the effective viewing distance. All technical data for this unit was compiled in a controlled environment.

TROUBLE SHOOTING

Q: Flashes, flickers, or clicking occur while operating

S: If it occurs within the first five minutes of inserting new batteries, it is normal and the device will resume normal operation soon thereafter. If it occurs for more than 10 minutes, contact your dealer or other authorized service representative for service instructions.

Q: Dark spots on screen.

S: These are cosmetic blemishes in the intensifier tube. They are a by-product of the process of manufacturing night vision tubes. They will not impede your viewing ability.

Q: Image not clear.

S: Adjust focus ring. If problem persists, increase viewing distance

Q: Fixed-pattern noise in a honeycomb shape.

S: Usually a cosmetic blemish characterized by a faint honeycomb-type pattern. This usually occurs when viewing very bright lights. Adjust the potentiometer, to reduce brightness.

Q: A pattern of dark thin lines which look like chicken wire.

S: Turn on illuminator, if purchased. If illuminator doesn't brighten image, replace batteries. If problem persists, contact ATN for service instructions.

FEATURES

- Digital “Smart technology”
- Total darkness technology
- Internally adjustable lit reticle for windage and elevation
- Automatic brightness control
- Range finder
- Built in 100m IR illuminator
- Mounts to standard U.S. weaver
- Recoil & flash resistant intensifiertube
- Auto “Sleep” mode
- Video/35mm camera adaptable
- Superb multi-coated 6 element lens system
- Manufactured exclusively by ATN
- Two year warranty
- Assembled in U.S.A.

SPECIFICATION

Total Darkness Technology	Standard
“Smart” Technology	Standard
Magnification	4x
Intensifier Tube	2nd Gen. (MK6600/6650)
.....	3rd Gen. (MK7700/7750)
.....	4th Gen. (MK8700/8750)
Detection Range	250 m (MK6600/6650)
.....	300 m (MK7700/7750)
.....	400 m (MK8700/8750)
Recognition Range.....	175 m (MK6600/6650)
.....	225 m (MK7700/7750)
.....	275 m (MK8700/8750)
Lens System	6 element 90 mm; F1.7
Field of View	12°
Diopter Adjustment.....	±5
Resolution	34 lp/mm (MK6600/6650)
.....	51 lp/mm (MK7700/7750)
.....	64 lp/mm (MK8700/8750)
Range of Focus	1.8 m to infinity
Reticle	Red on green rangefinder
.....	5 reticle patterns (MK6650, MK7750, MK8750)
Controls.....	Digital and remote
Power Supply	Two 3 volt lithium
Battery Life	10-20 hours
Dimensions	300 mm x 110 mm x 85 mm
Operating Temperatures	-40°C to +40°C
Weight	1.5 kg

2 YEAR PRODUCT WARRANTY

This product is guaranteed to be free from manufacturing defects in material and workmanship under normal use for a period of 2 (two) years from the date of purchase. In the event a defect that is covered by the foregoing warranty occurs during the applicable period stated above, ATN, at its option, will either repair or replace the product, and such action on the part of ATN shall be the full extent of ATN's liability, and the Customer's sole and exclusive remedy. This warranty does not cover a product (a) used in other than its normal and customary manner; (b) subjected to misuse; (c) subjected to alterations, modifications or repairs by the Customer or by any party other than ATN without prior written consent of ATN; (d) special order or "close-out" merchandise or merchandise sold "as-is" by either ATN or the ATN dealer; or (e) merchandise that has been discontinued by the manufacturer and either parts or replacement units are not available due to reasons beyond the control of ATN. ATN shall not be responsible for any defects or damage that in ATN's opinion is a result from the mishandling, abuse, misuse, improper storage or improper operation, including use in conjunction with equipment which is electrically or mechanically incompatible with or of inferior quality to the product, as well as failure to maintain the environmental conditions specified by the manufacturer. **CUSTOMER IS HEREBY NOTIFIED THAT OPERATION OF THE EQUIPMENT DURING DAYLIGHT HOURS OR UNDER ANY EXCESSIVE LIGHT CONDITIONS MAY PERMANENTLY DAMAGE THE INTERNAL COMPONENTS OF THE UNIT AND SAID DAMAGE WILL NOT BE COVERED UNDER THIS WARRANTY.** This warranty is extended only to the original purchaser. Any breach of this warranty shall be waived unless the customer notifies ATN at the address noted below within the applicable warranty period.

The customer understands and agrees that except for the foregoing warranty, no other warranties written or oral, statutory, expressed or implied, including any implied warranty of merchantability or fitness for a particular purpose, shall apply to the product. All such implied warranties are hereby and expressly disclaimed.

LIMITATION OF LIABILITY

ATN will not be liable for any claims, actions, suits, proceedings, costs, expenses, damages or liabilities arising out of the use of this product. Operation and use of the product are the sole responsibility of the Customer. ATN's sole undertaking is limited to providing the products and services outlined herein in accordance with the terms and conditions of this Agreement. The provision of products sold and services performed by ATN to the Customer shall not be interpreted, construed, or regarded, either expressly or implied, as being for the benefit of or creating any obligation toward any third party of legal entity outside ATN and the Customer; ATN's obligations under this Agreement extend solely to the Customer. **ATN's liability hereunder for damages, regardless of the form or action, shall not exceed the fees or other charges paid to ATN by the customer or customer's dealer. ATN shall not, in any event, be liable for special, indirect, incidental, or consequential damages, including, but not limited to, lost income, lost revenue, or lost profit, whether such damages were foreseeable or not at the time of purchase, and whether or not such damages arise out of a breach of warranty, a breach of agreement, negligence, strict liability or any other theory of liability.**

PRODUCT WARRANTY REGISTRATION

In order to validate the warranty on your product, ATN must receive a completed Product Warranty Registration Card for each unit. Please complete the form below and immediately mail it to our Service Center: ATN Corporation, 20 South Linden Ave., Suite 1 B, South San Francisco CA 94080. Products qualifying for warranty repair will be either repaired or replaced within 10 business days of receipt of merchandise unless the customer is notified otherwise.

OBTAINING WARRANTY SERVICE

To obtain warranty service on your unit, take or send the product, postage paid, with a copy of your sales receipt to our service center, ATN Corporation at the address noted above. All merchandise must be fully insured with the correct postage; ATN will not be responsible for improper postage, or missing or damaged merchandise during shipment.



For customer service and technical support, please contact
American Technologies Network Corp.

North American Office

20 S. Linden Ave. Suite 1B, South San Francisco, CA 94080
phone: 800-910-2862, 650-875-0130; fax: 650-875-0129

European Office

phone: 44(0)870-0111286, fax: 44(0) 845-3349142

The following countries can use our
toll free number 00 800 9102-8620

Austria, France, Germany, Holland, Italy, Spain, Sweden, Switzerland

www.atncorp.com